

CEILY

LOUDSPEAKERS HARDWARE

Speaker Bracket



PRODUCT OVERVIEW

CEILY is a bracket that allows eMOTUS series speakers to be mounted on the ceiling. Compatible with eMOTUS3OD, eMOTUS5P, eMOTUS5PB and eMOTUS5OD. Available in black and white.

KEY FEATURES

- Made out of aluminium, stainless steel, ABS
- Available in black (RAL 9005) and white (RAL 9016).

APPLICATIONS

- eMOTUS Series Speakers

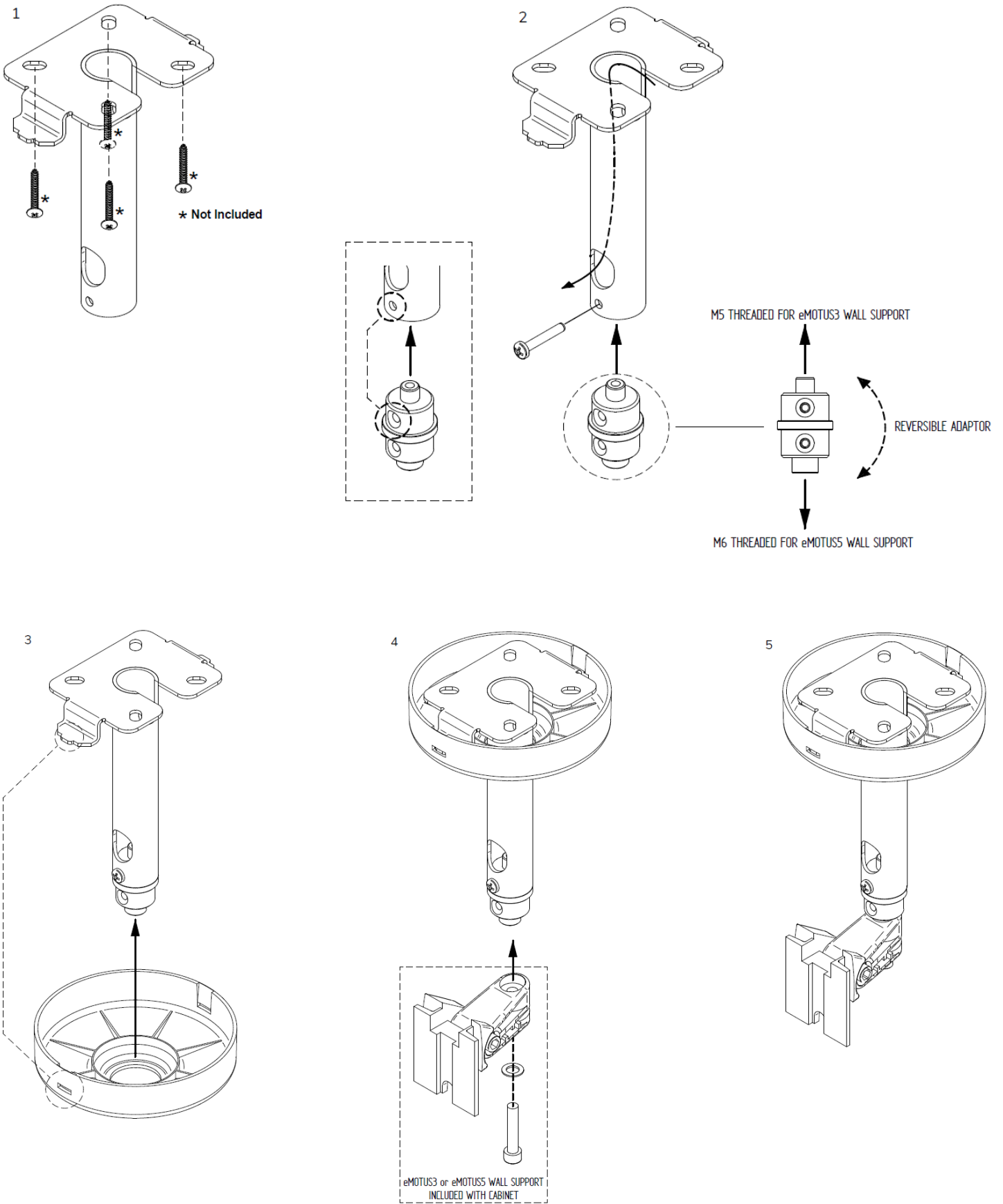
TECHNICAL SPECIFICATIONS

CEILY

PHYSICAL

Installation options	Surface (ceily mount)
Enclosure material	Aluminium, stainless steel, ABS
Mounting system	Screw fixation
Finished colour	White (RAL 9016) / Black (RAL 9005)
Dimensions (WxHxD)	111 x 153.5 x 111 mm / 4.37 x 6.04 x 4.37 in.
Weight	0.26 Kg / 0.57 lb.
Pieces per box	1
Shipping dimensions (WxH)	200x180 mm / 7.87 x 7.09 in.
Shipping weight	0.30 Kg / 0.66 lb

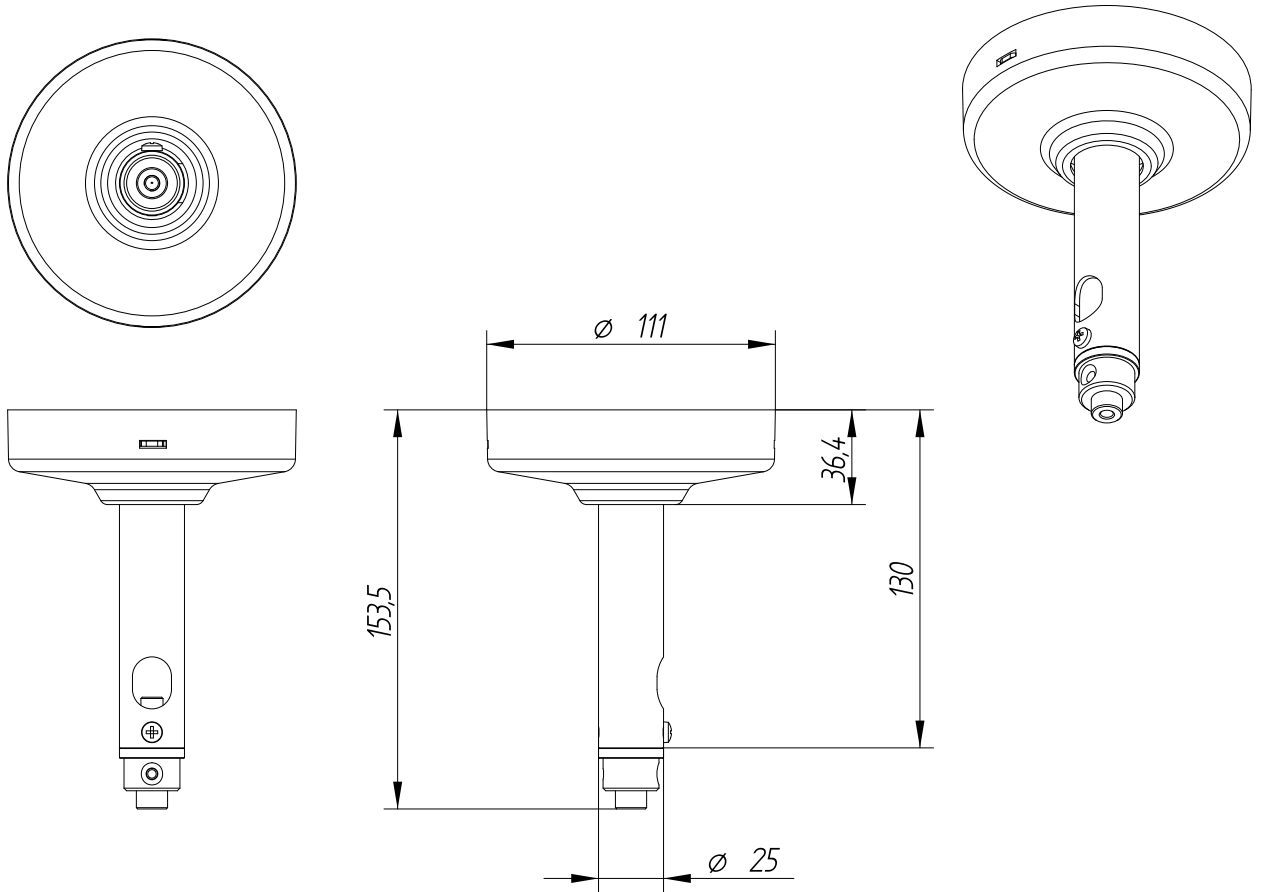
MOUNTING DIAGRAM



MECHANICAL DIAGRAM



Ecler CEILY Mechanical Diagram



All the measurements are in mm

6I-1143-0100

www.ecler.com



All product characteristics are subject to variation due to production tolerances. **NEEC AUDIO BARCELONA S.L.** reserves the right to make changes or improvements in the design or manufacturing that may affect these product specifications.

For technical queries contact your supplier, distributor or complete the contact form on our website, in [Support / Technical requests](#).

Motors, 166-168 - 08038 Barcelona - Spain | Tel. (+34) 932238403 | information@ecler.com | www.ecler.com